

Plastic Fire Extinguisher

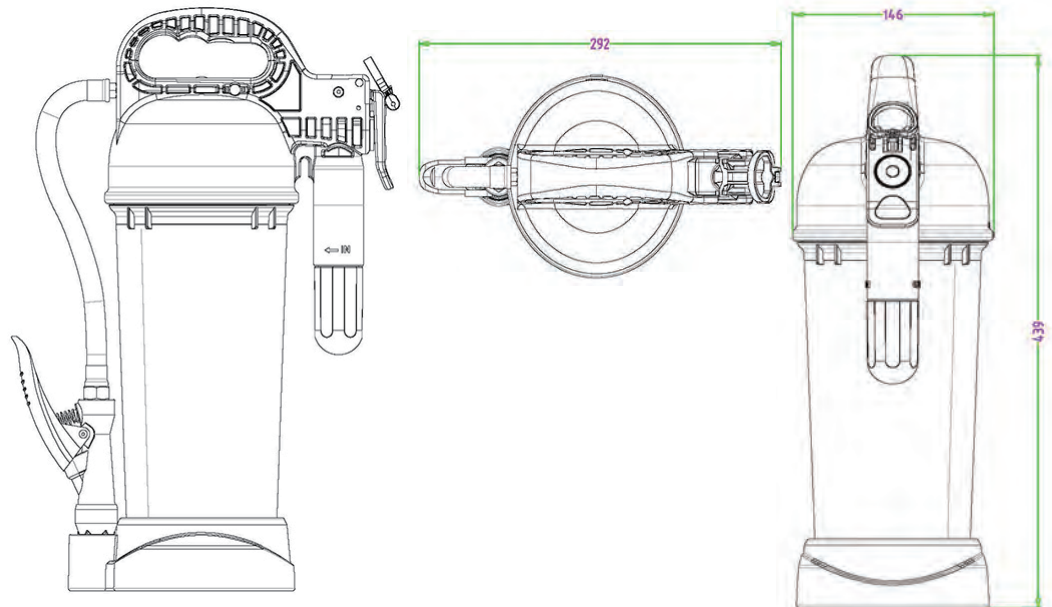


Specification Table :

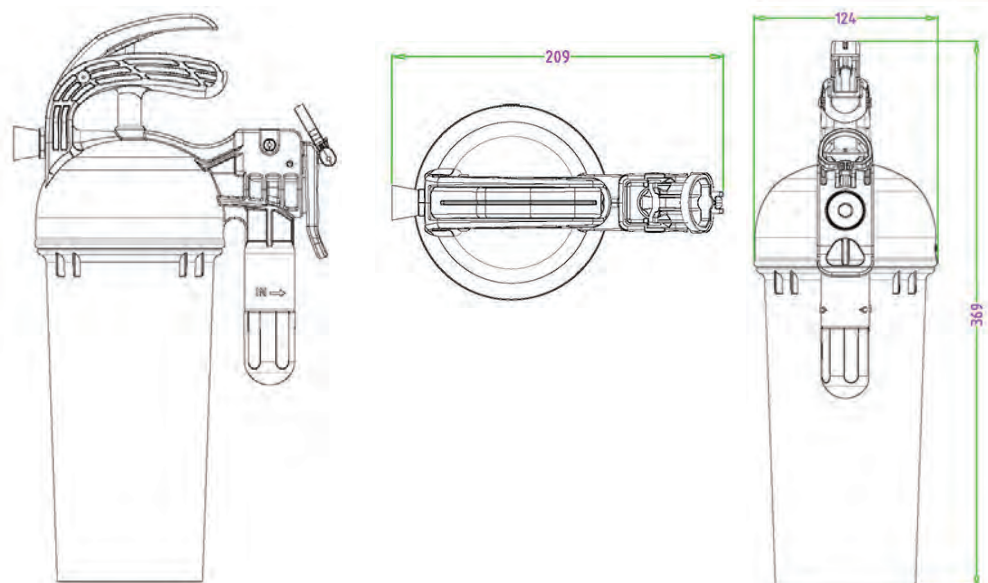
Extinguisher Type	2.5lb Dry Powder	5lb Dry Powder
Model No.	EC250	EC500
Capacity	0.95KG	2.27KG
Fire Rating	A-1 : B-2 : C	A-2 : B-4 : C
Charged Weight Kg	2.5KG	4.5KG
Discharge Time (Approx)	10s	12s
Height of Extinguisher (Approx)	369mm	439mm
Dia of Cylinder (Approx)	124mm	146mm
Overall width of extinguisher (Approx)	209mm	292mm
Range of Throw (Approx)	2M	4-5M

Dimension :

EC500



EC250



Plastic Fire Extinguisher



Range of fire extinguishers to extinguish :

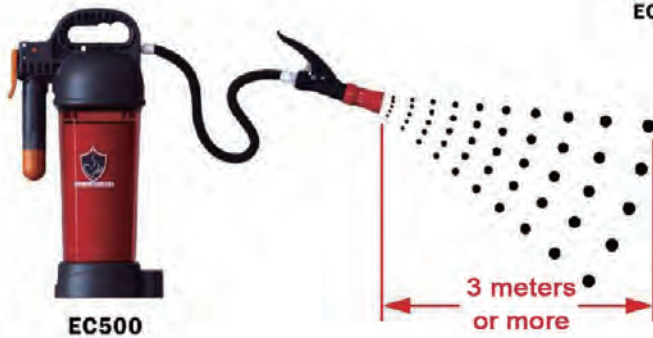
Class A : organic solid materials

Class B : inflammable liquids

Class C : inflammables gas



10 seconds or more

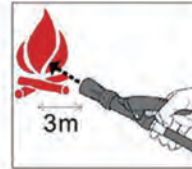


10 seconds or more

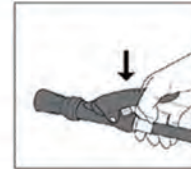
Learning—knowing the Dao of protection



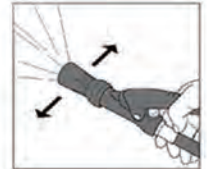
Pull the safety pin to unlock the operating lever, and make the air enter the cylinder



A
Aim low.
Direct agent at the base of the fire.



S
Squeeze the handle to discharge the agent



S
Sweep from side to side and from front to back.

